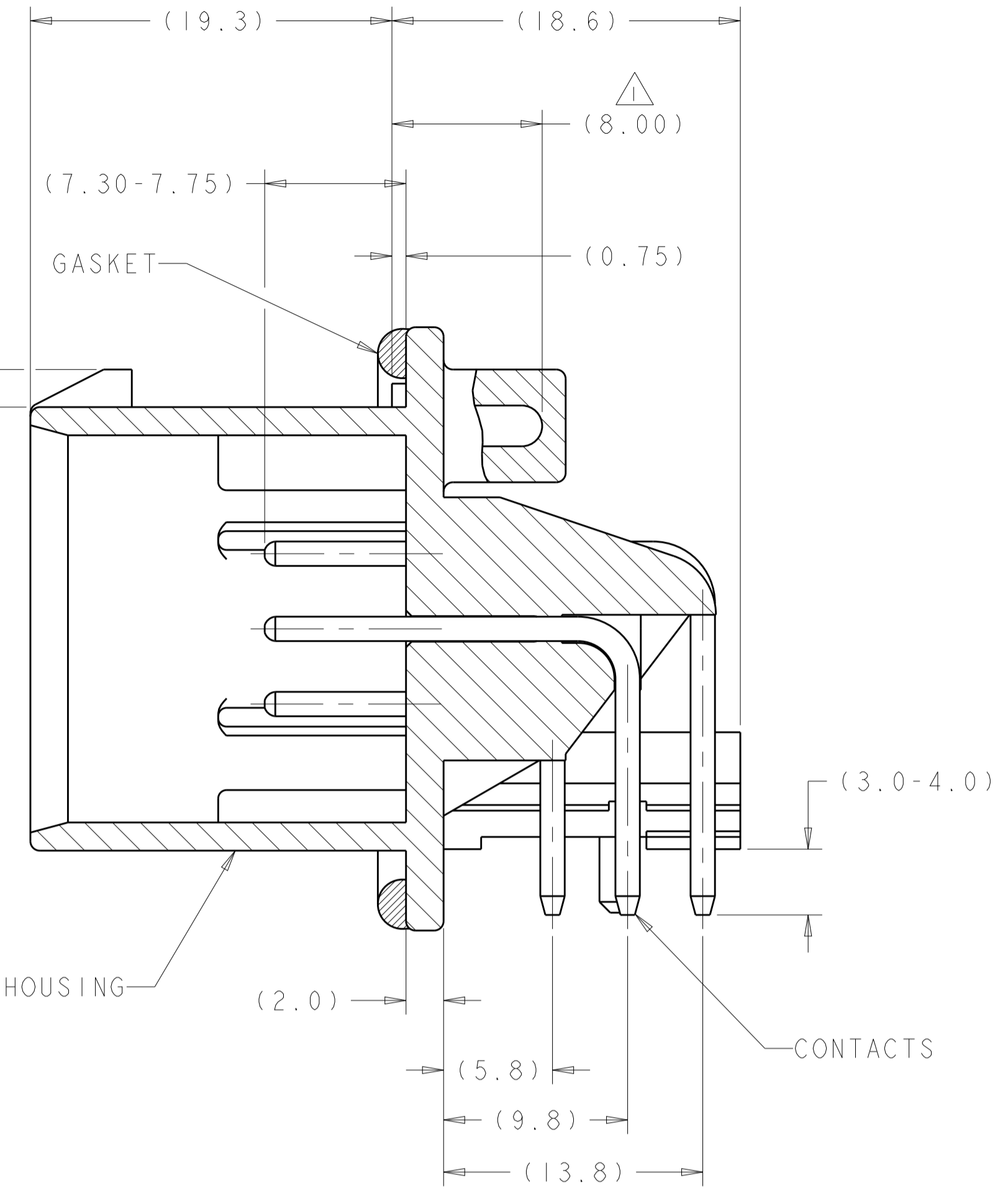
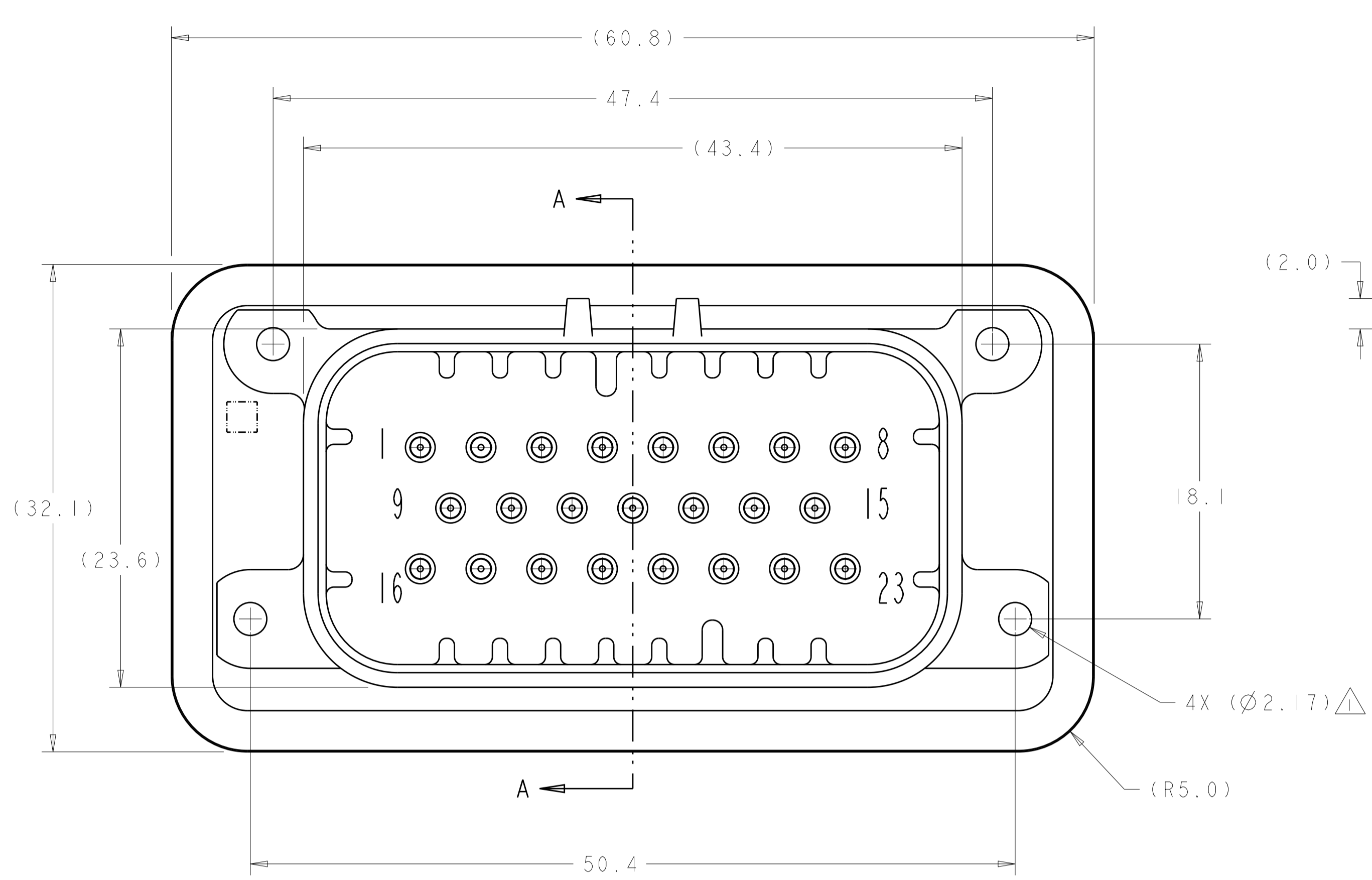
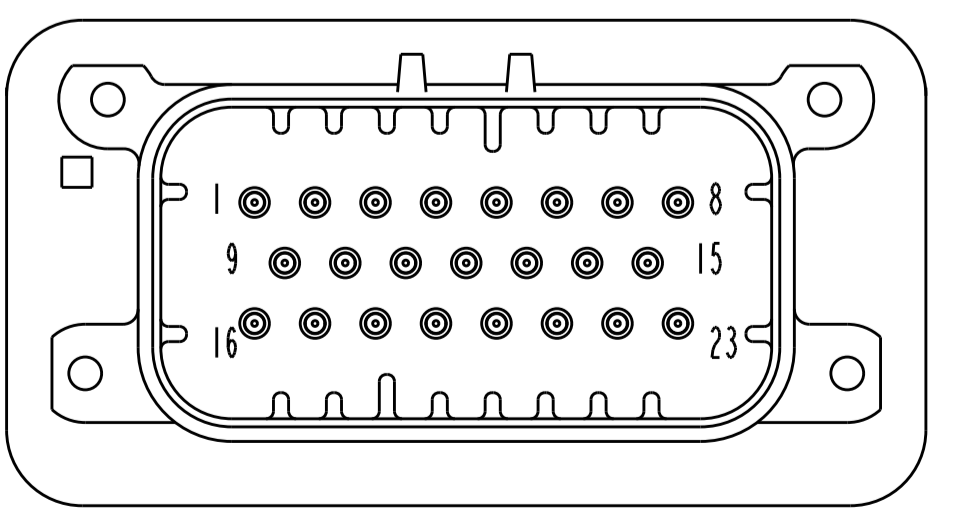
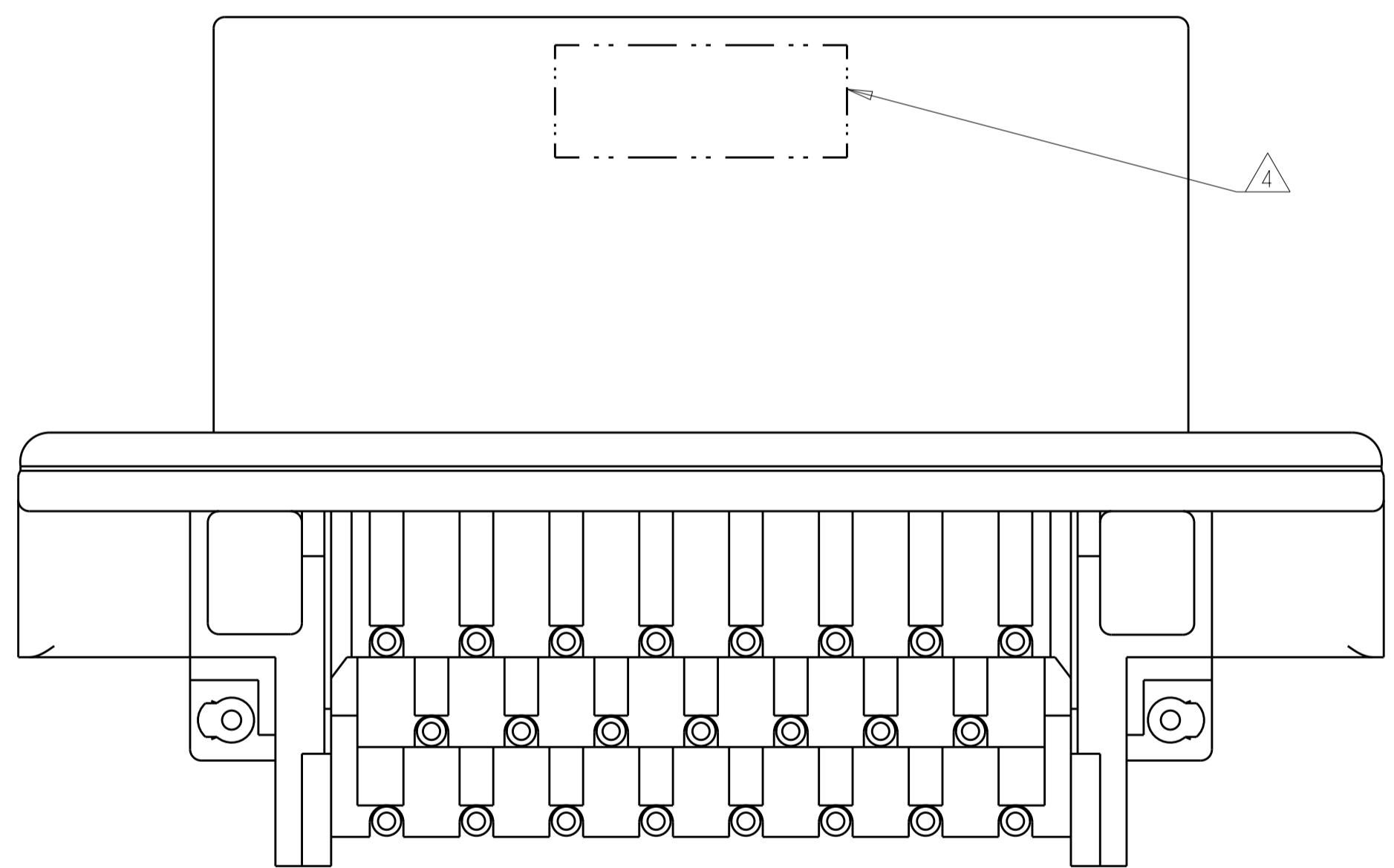


REVISIONS				
P.	LTN	DESCRIPTION	DATE	OWN APVD
E12		REVISED PER ECO-19-009419	20JUN2019	DS DS
E13		REVISED PER ECO-20-004256	26MAR2020	JM DS
E14		REVISED PER PCN E-20-016603	24NOV2020	PN DS

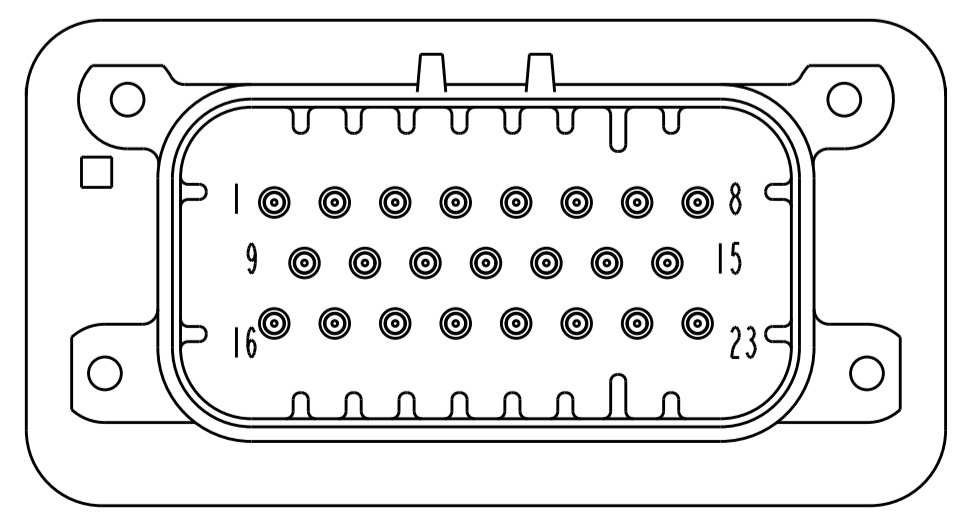


- 1 SUGGESTED MOUNTING SCREW SIZE IS Ø2.50-3.00mm [Ø0.099 - 0.118 INCH] SELF TAPPING THREAD FORMING SCREW, SUCH AS DELTA PT, TO BE DRIVEN AT 0.6-0.8 N-m. THE CUSTOMER SHOULD TEST THE SCREW SIZE AND TYPE IN ORDER TO VERIFY THEIR SELECTION FOR THEIR APPLICATION
- 2 HOUSING COLORS ARE MECHANICALLY KEYS TO MATE ONLY WITH IDENTICALLY COLORED PLUG ASSEMBLIES.
- 3 MATERIALS: HEADER HOUSING - GLASS FILLED PBT
PINS - TIN OR GOLD PLATED BRASS
GASKET - SILICONE
- 4 DATE CODE IN THIS LOCATION USING 5 DIGIT CODE
FIRST 2 DIGITS = YEAR, SECOND 2 DIGITS = WEEK
LAST DIGIT = DAY
- 5. HEADER MATES TO PLUG ASSEMBLY 770680 WHICH USES REELED TERMINAL 770520 AND LOOSE PIECE TERMINAL 770854

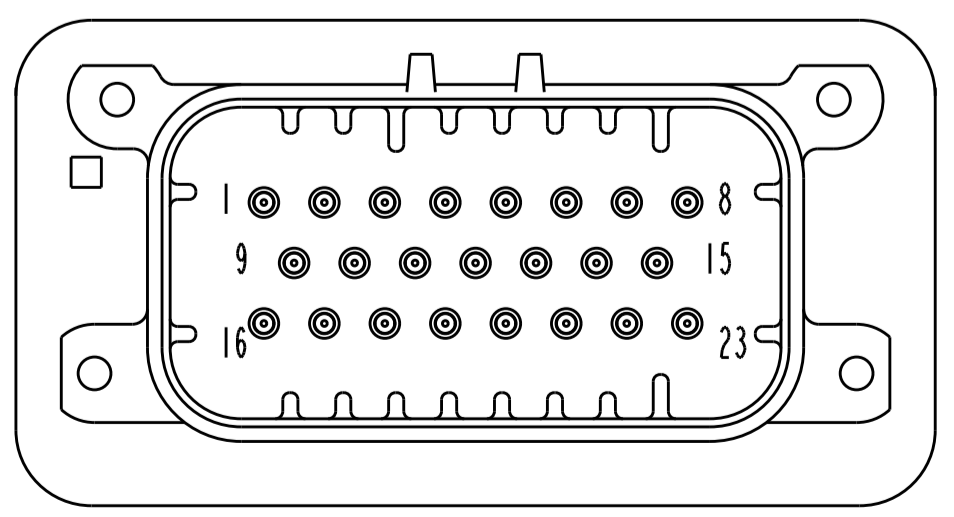
SECTION A-A



776087-2 & 1-776087-2
KEY LOCATION AS SHOWN
SCALE 2:1



776087-4 & 1-776087-4
KEY LOCATION AS SHOWN
SCALE 2:1



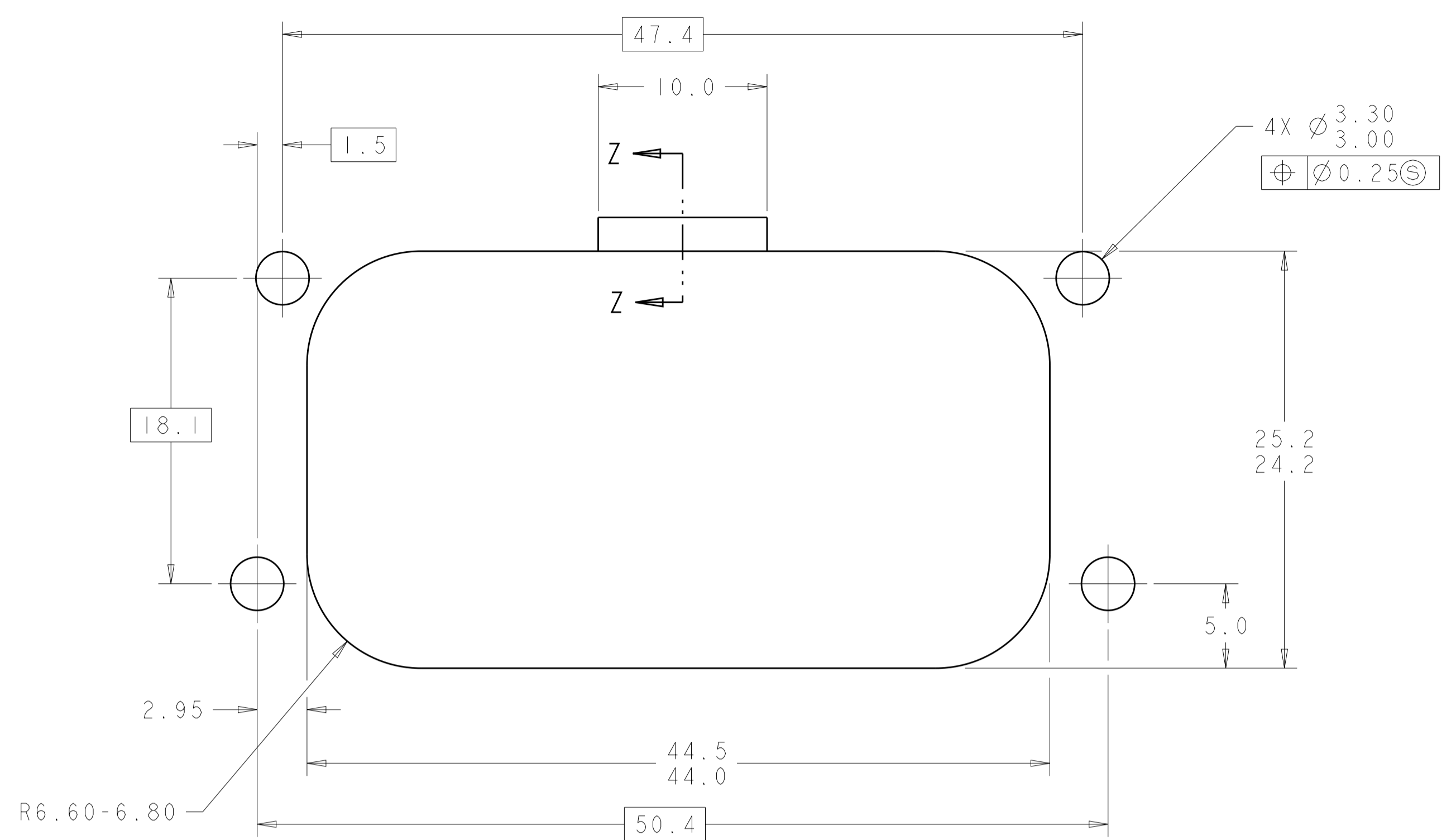
776087-5 & 1-776087-5
KEY LOCATION AS SHOWN
SCALE 2:1

776087-1 & 1-776087-1
KEY LOCATION AS SHOWN

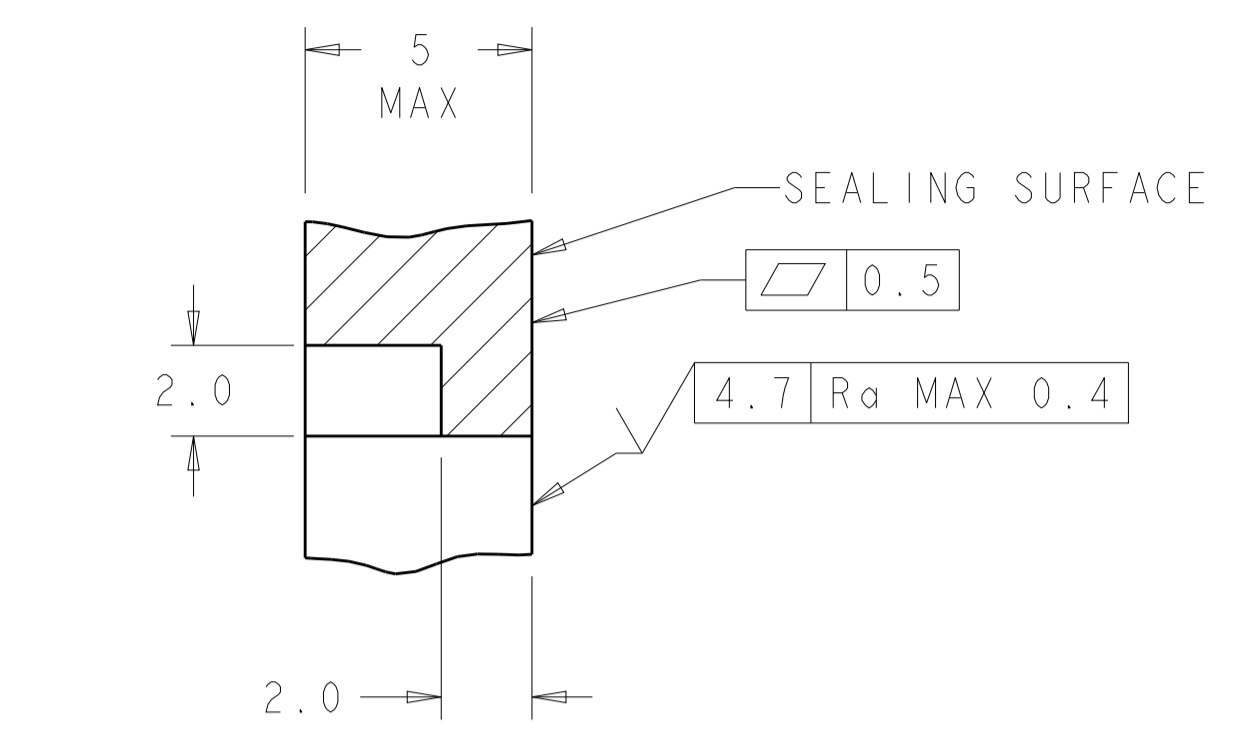
FINISH	COLOR	PART NUMBER
GOLD	BLUE	1-776087-5
GOLD	GRAY	1-776087-4
GOLD	NATURAL (WHITE)	1-776087-2
GOLD	BLACK	1-776087-1
TIN	BLUE	776087-5
TIN	GRAY	776087-4
TIN	NATURAL (WHITE)	776087-2
TIN	BLACK	776087-1

THIS DRAWING IS A CONTROLLED DOCUMENT.		OWN: R. VESTAL 31DEC2002	
DIMENSIONS: mm		CHK: D. CROWE 31DEC2002	
TOLERANCES UNLESS OTHERWISE SPECIFIED:		APVD: D. CROWE 31DEC2002	
0 PLC ± 1 PLC ±0.2 2 PLC ± 3 PLC ± 4 PLC ± ANGLES ±		PRODUCT SPEC: 108-1329 APPLICATION SPEC: 114-16016 WEIGHT: 29.04g	
MATERIAL: 3		FINISH: 4	NAME: HEADER ASSEMBLY, 23 POSITION, RIGHT ANGLE, AMPSEAL SIZE: A100779 CAGE CODE: 776087 CUSTOMER DRAWING: SCALE 4:1 SHEET 1 OF 2 REV E14

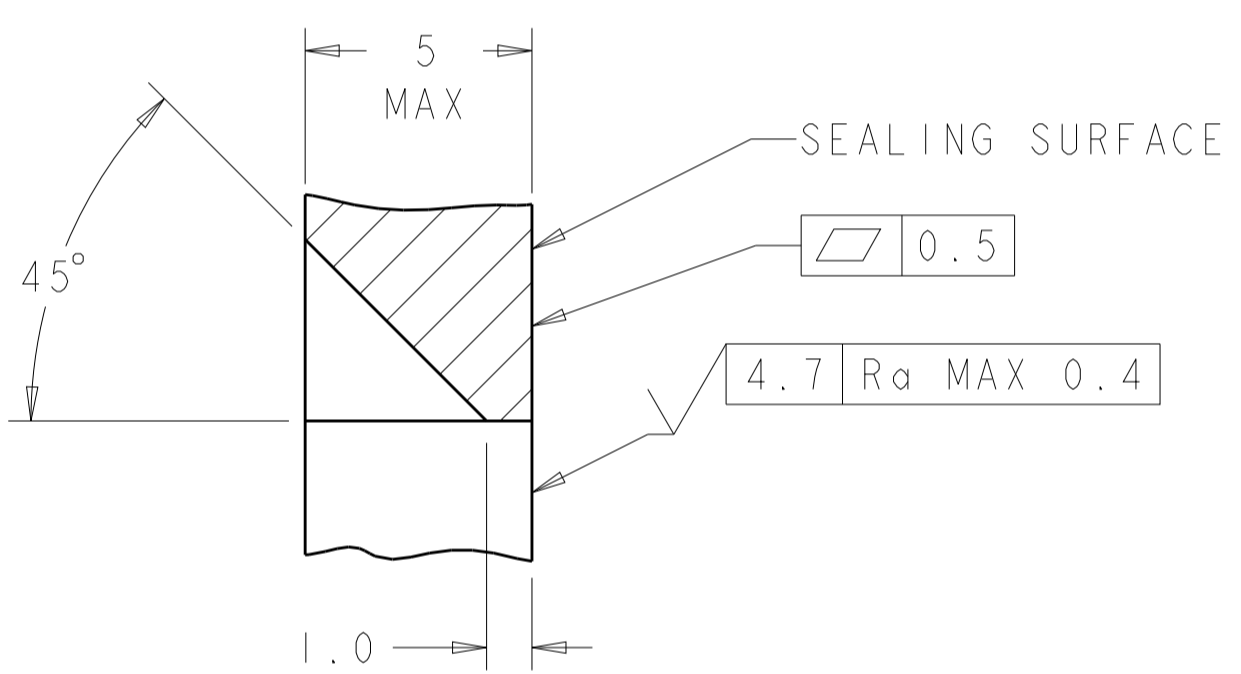
REVISIONS				
P.	LTH	DESCRIPTION	DATE	APP'D
-	-	SEE SHEET 1	-	-



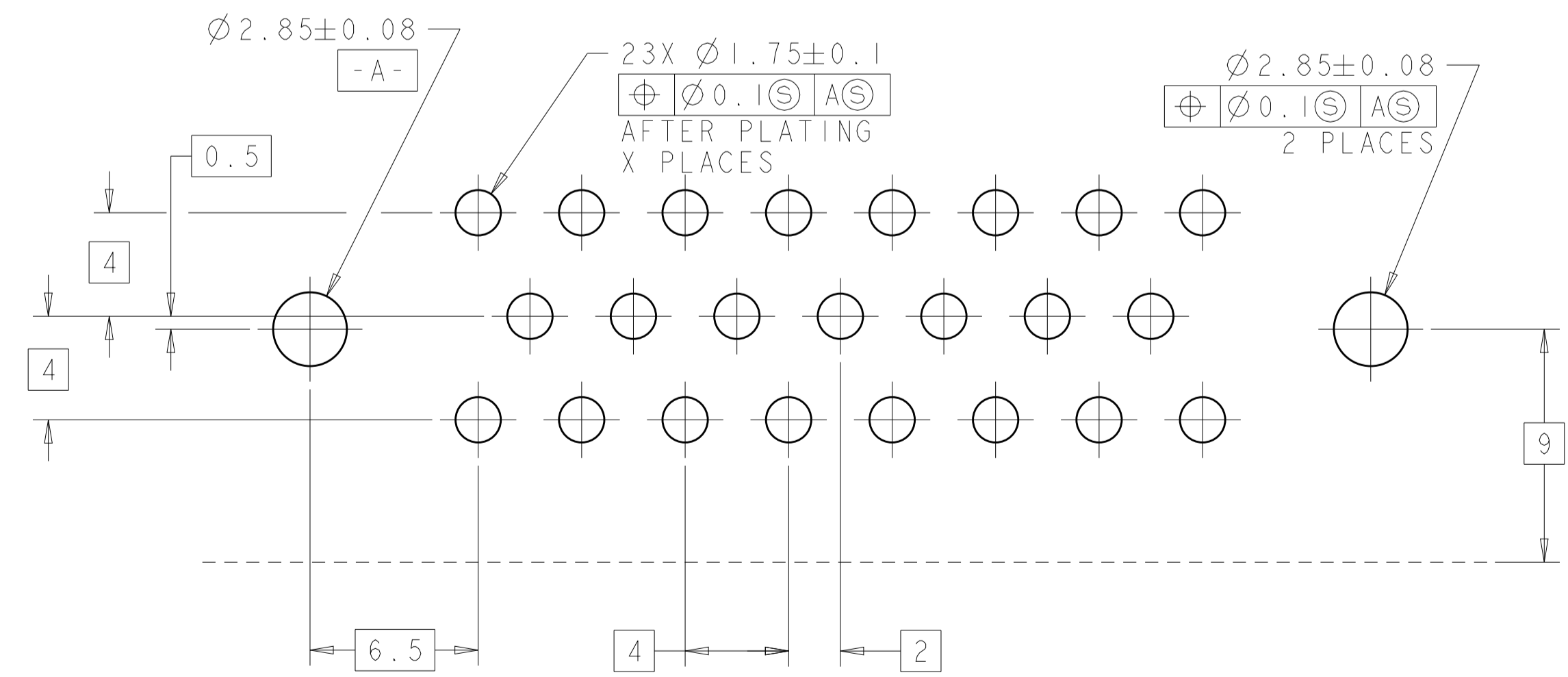
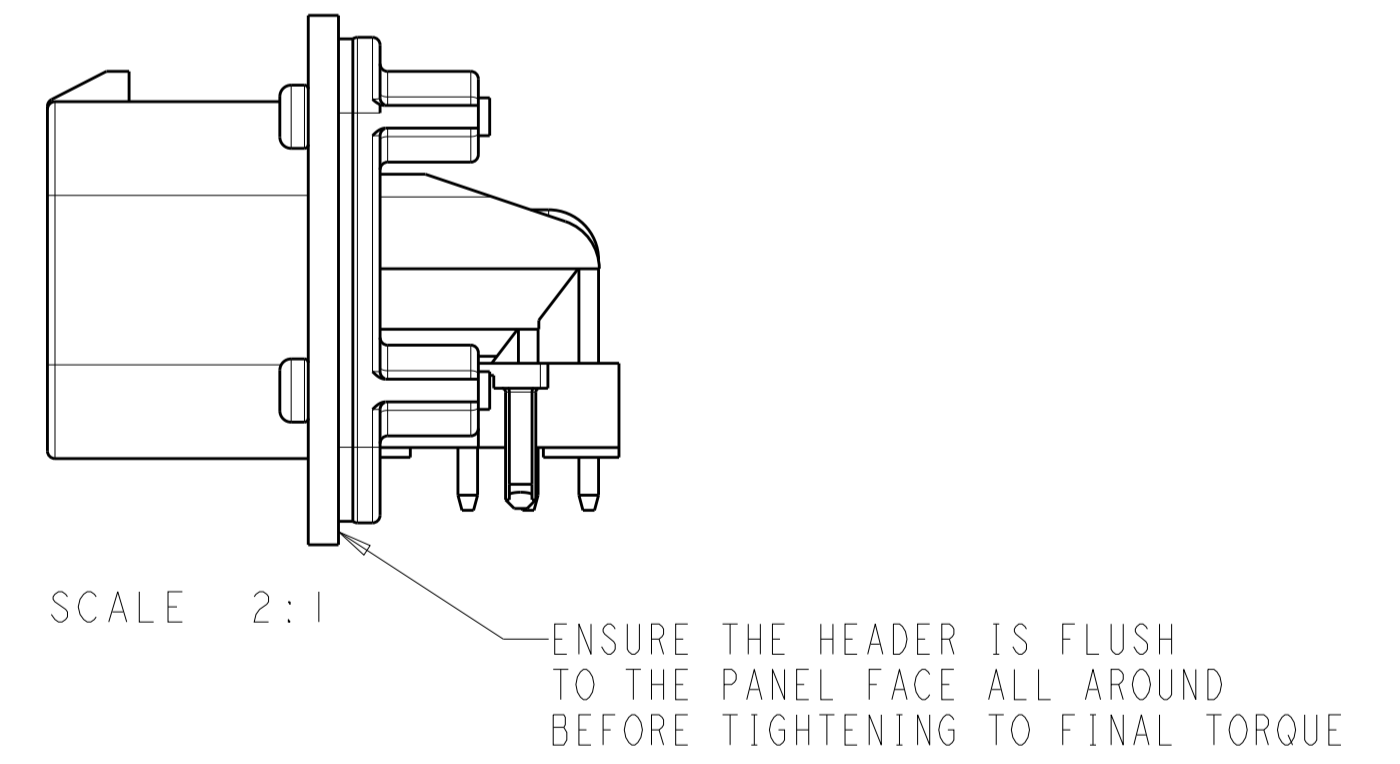
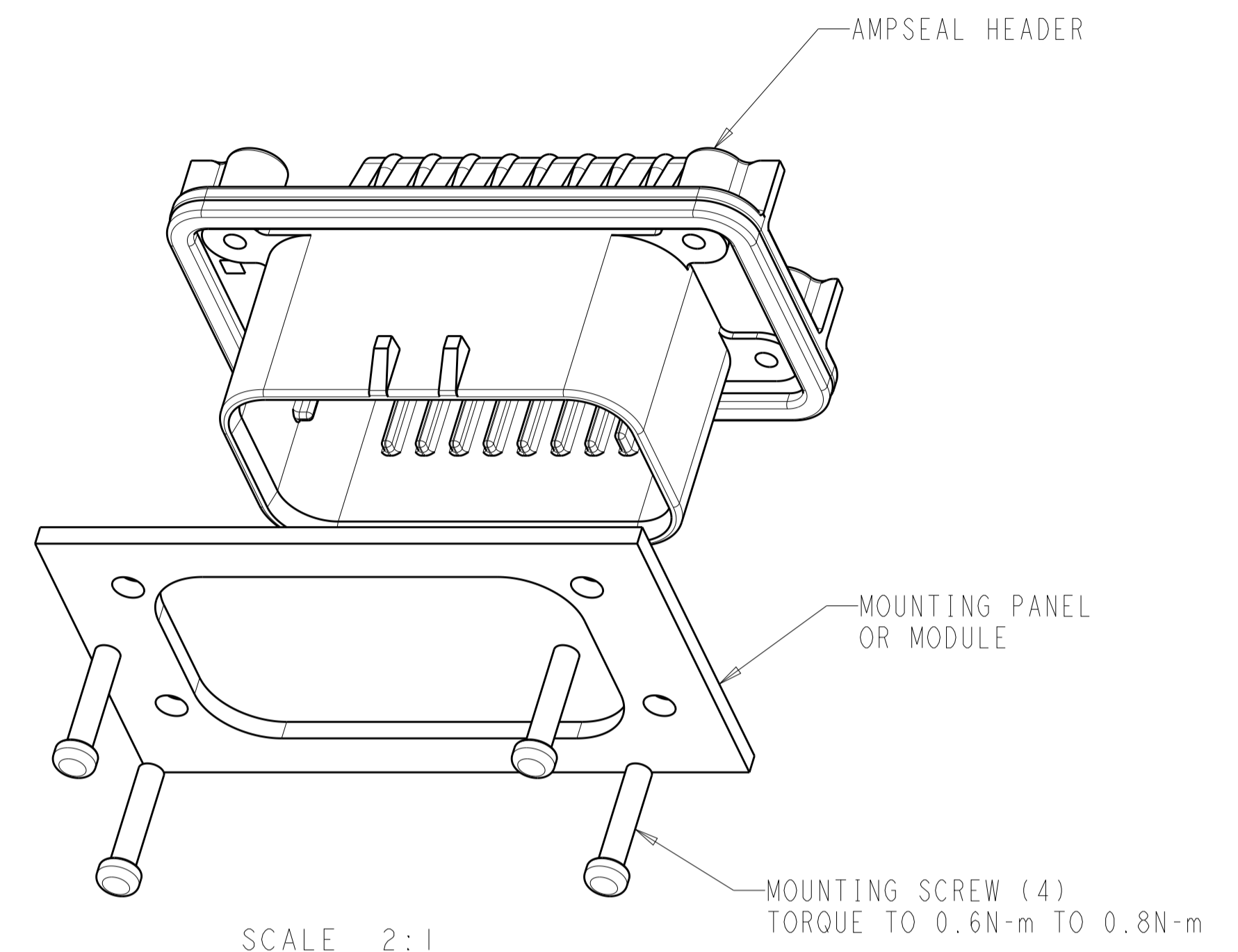
RECOMMENDED MOUNTING HOLE LAYOUT FOR 5.0 MAX THICK PANEL



SECTION Z-Z
 OPTIONAL CONSTRUCTION IF THICKNESS IS GREATER THAN 2.0
 SCALE 6:1



SECTION Z-Z
 OPTIONAL CONSTRUCTION IF THICKNESS IS GREATER THAN 2.0
 SCALE 6:1



RECOMMENDED P.C. BOARD LAYOUT FOR 1.57 THICK P.C. BOARD

THIS DRAWING IS A CONTROLLED DOCUMENT.		DWN R. VESTAL 31DEC2002 CHK D. CROWE 31DEC2002 APVD D. CROWE 31DEC2002	TE Connectivity NAME HEADER ASSEMBLY, 23 POSITION, RIGHT ANGLE, AMPSEAL
DIMENSIONS: mm 	TOLERANCES UNLESS OTHERWISE SPECIFIED: 0 PLC \pm 1 PLC ± 0.3 2 PLC ± 0.13 3 PLC \pm 4 PLC \pm ANGLES \pm FINISH	PRODUCT SPEC 108-1329 APPLICATION SPEC 114-16016 WEIGHT 29.04g CUSTOMER DRAWING	
4805 (3/13)		SCALE 4:1 SHEET 2 OF 2 REV E14	